

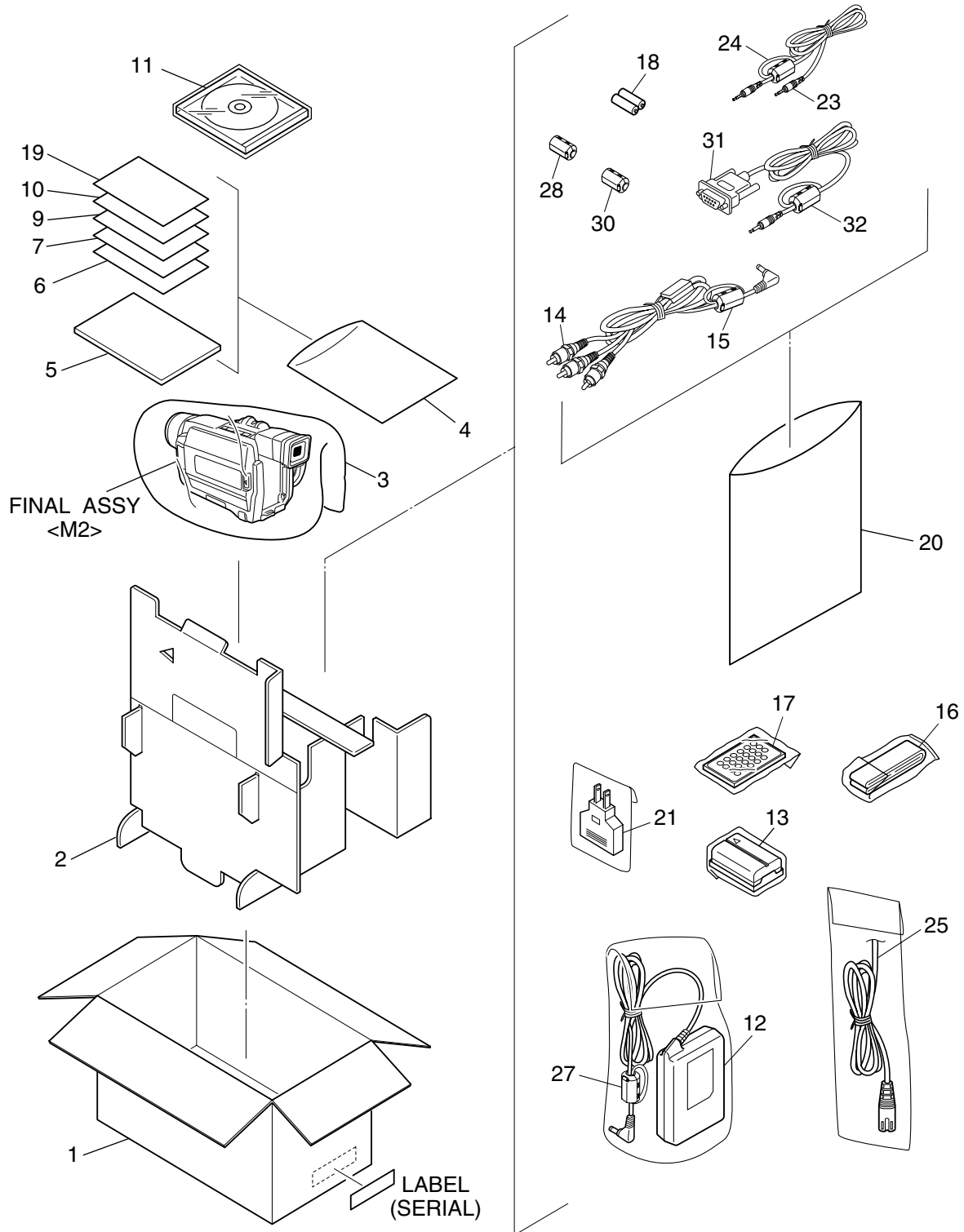
# SECTION 5 PARTS LIST

## SAFETY PRECAUTION

Parts identified by the  symbol are critical for safety. Replace only with specified part numbers.

### 5.1 PACKING AND ACCESSORY ASSEMBLY <M1>

The instruction manual to be provided with this product will differ according to the destination.



\*\*\*\*\*

**PACKING AND ACCESSORY ASSEMBLY <M1>**

1	LY32095-003A	PACKING CASE,B
	LY32095-011B	PACKING CASE,C,D,E
	LY32095-018B	PACKING CASE,A
	LY32095-019B	PACKING CASE,F,G
2	LY32096-001A	CUSHION
3	LY30023-008A	POLY BAG
4	QPA02003006	POLY BAG,B
	QPA02003506	POLY BAG,A,C,D,E,F
△ 5	LYT0768-001A	INST.BOOK(EN)
△	LYT0768-002A	INST.BOOK(CH),A,C,D,F,G
△	LYT0768-003A	INST.BOOK(GE),A,C,D,F,G
△	LYT0768-004A	INST.BOOK(FR),A,C,D,F,G
△	LYT0768-005A	INST.BOOK(RU),A,C,D,F,G
△	LYT0768-006A	INST.BOOK(AR),A,C,D,F,G
△ 6	LYT0501-001A	INST.BOOK(SOFT.SETUP),B,E
△	LYT0788-001A	INST.BOOK(SOFT.SETUP),C,D,F,G
7	LYT0378-003A	SHEET(AGREEMENT),B,C,D,E,F,G
9	BT-56001-2	WARRANTY CARD,B
10	LYT0609-001A	SHEET(CON.PLUG),A,C,D,E,F,G
11	LY32210-002A	CD ROM,C,D,F,G
	LY32210-002B	CD ROM,E
△ 12	LY20688-003A	AC ADAPTER,AP-V10A,A,C,E,F
△	LY20688-007A	AC ADAPTER,AP-V10EA,B
△	LY20688-014A	AC ADAPTER,AP-V10A-S,D,G
△ 13	LY31587-001A	BATTERY PACK,BN-V408U
14	QAM0212-001	CABLE ASSY,AUDIO/VIDEO CABLE
15	QQR0918-002	CORE FILTER
16	LY20186-001A	SHOULDER STRAP
17	LY20750-001A	REMOTE CONTROL UNIT,RM-V717U
18	—	BATTERY,AAA(R03),X2
19	BT-56002-2	SER.NET CARD,B
20	QPA01703005	POLY BAG
△ 21	PEMC1012	CONVERSION PLUG,D,G
△	PEMC1012-02	CONVERSION PLUG,A,C,E,F
23	PEAC0428-150	CABLE ASSY,A,B
	QAM0214-001	RM CABLE,C,D,E,F,G
24	QQR0491-002	CORE FILTER
△ 25	QMPL120-190-JR	POWER CORD,A,C,E,F
△	QMPH020-190-JR	POWER CORD,B
△	QMPS110-190-JR	POWER CORD,D,G
27	QQR0490-002	CORE FILTER
28	QQR0918-002	CORE FILTER,A,B
30	QQR0491-002	CORE FILTER
31	QAM0084-001	PC CABLE,C,D,E,F,G
32	QQR0491-002	CORE FILTER,D,E,F,G
	QQR0918-002	CORE FILTER,C

**• INSTRUCTIONS**

EN ..... ENGLISH  
 CH ..... CHINESE  
 GE ..... GERMAN  
 FR ..... FRENCH  
 RU ..... RUSSIAN  
 AR ..... ARABIAN

MODEL	MARK
GR-DVL210A	A
GR-DVL210EA	B
GR-DVL310A	C
GR-DVL310A-S	D
GR-DVL313A	E
GR-DVL450A	F
GR-DVL450A-S	G